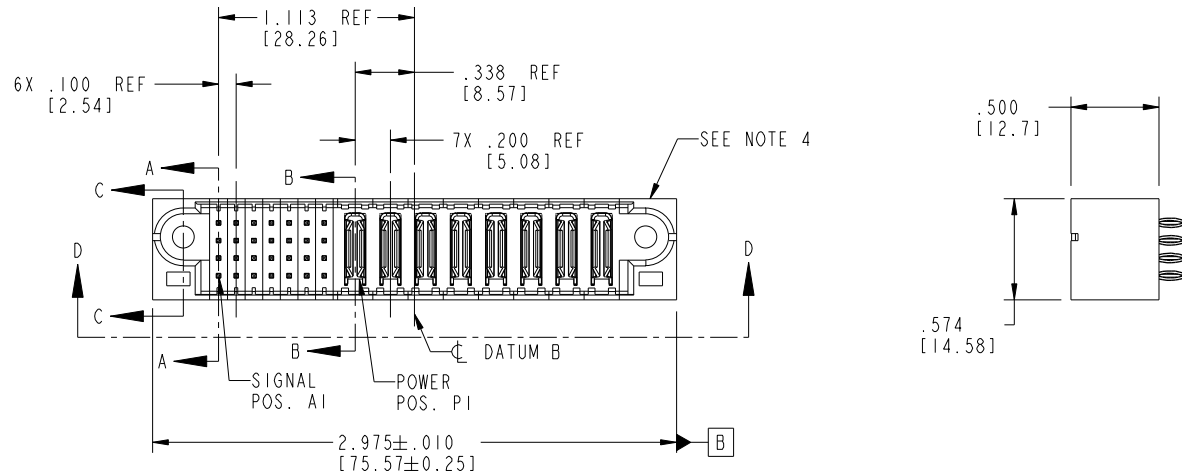


Tous droits strictement reserves. Reproduction ou communication a des tiers interdite sous quelque forme que ce soit sans autorisation écrite du propriétaire. Propriete de c FCI. Droits de reproduction FCI.



All rights strictly reserved. Reproduction or issue to third parties in any form whatever is not permitted without written authority from the proprietor. Property of FCI. Copyright FCI.

PRODUCT NO.	ROWS	SIGNAL					POWER								E2		
		E1	1	2	3	4	5	6	7	P1	P2	P3	P4	P5		P6	P7
51952-019..	D C B A		G	G	G	G	G	G	PC	PC	PC	PC	PC	PC	PC	PC	
Note: ③			G	G	G	G	G	G									
			G	G	G	G	G	G									



CODE	DIM "M" MATING LENGTH		CONTACT TYPE
PC	[N/A]	[N/A]	POWER
G	.270	[6.86]	SIGNAL

mal'1 code SEE NOTE 2				tolerances unless otherwise specified		CUSTOMER		FCI	
ltr	ecn no.	dr	date	linear	.XX±.01/0.X±0.3	COPY		www.fciconnect.com	
A	V03-0258	DAI	03/06/03		.XXX±.005/0.XX±0.13	projection		title 28S+8P	
B	DG05-0075	JM	04/22/05	angles	.XXX±.0020/0.XXX±0.051	INCH/MM		VERTICAL PRESS FIT HEADER	
C	DG05-0450	Ryan	11/12/05		0°±2°	scale		product family PwrBlade code 213	
D	DG07-0357	SH	01/03/08	dr	D. INGRAM 03/06/03	1:1		size dwg no 51952-019 sheet 1 of 4	
				enrg	M.MOSTOLLER 03/06/03				
				chr	M.MOSTOLLER 03/06/03				
				appd	M.MOSTOLLER 03/06/03				
sheet index	revision sheet	D	D	D	D			cage code 22526	
		1	2	3	4				

1 | 2

Pro/E

3 |

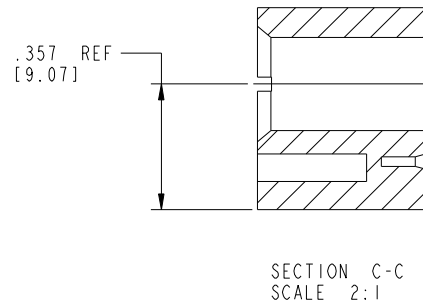
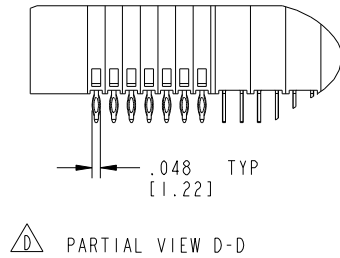
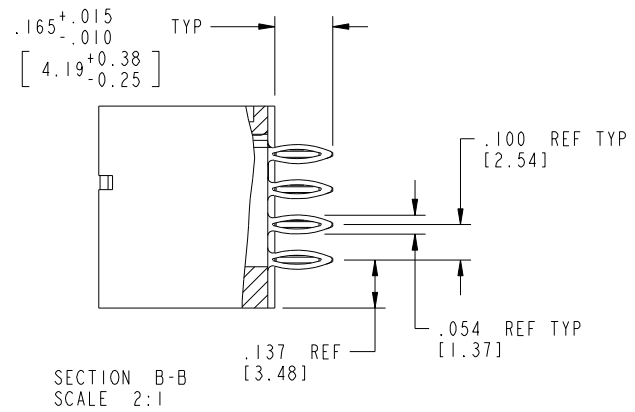
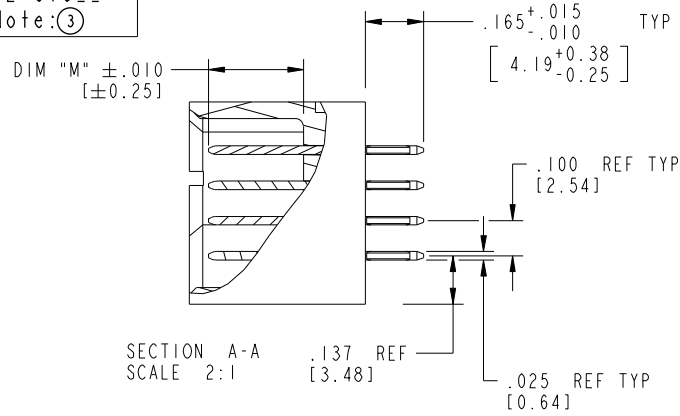
cage code 22526

4

Tous droits strictement réservés. Reproduction ou communication à des tiers interdite sous quelque forme que ce soit sans autorisation écrite du propriétaire. Propriété de c.FCI. Droits de reproduction FCI.

All rights strictly reserved. Reproduction or issue to third parties in any form whatsoever is not permitted without written authority from the proprietor. Property of FCI. Copyright FCI.

PRODUCT NUMBER
51952-019--
Note: ③



mat'l code				SEE NOTE 2		tolerances unless otherwise specified		CUSTOMER		FCI	
ltr	ecn no.	dr	date	linear	.XX±.01/0.X±0.3	projection	COPY	www.fciconnect.com			
D				linear	.XXX±.005/0.XX±0.13	projection	title	28S+8P			
				angles	.XXX±.0020/0.XXX±0.051	projection	VERTICAL PRESS FIT HEADER				
				angles	0°±2°	projection	product family	PwrBlade	code	213	
				dr	D. INGRAM 03/06/03	INCH/MM	size	dwg no	51952-019		
				enrg	M.MOSTOLLER 03/06/03	scale	A		sheet 2 of 4		
				chr	M.MOSTOLLER 03/06/03	1:1					
				appd	M.MOSTOLLER 03/06/03						
sheet index	revision sheet										

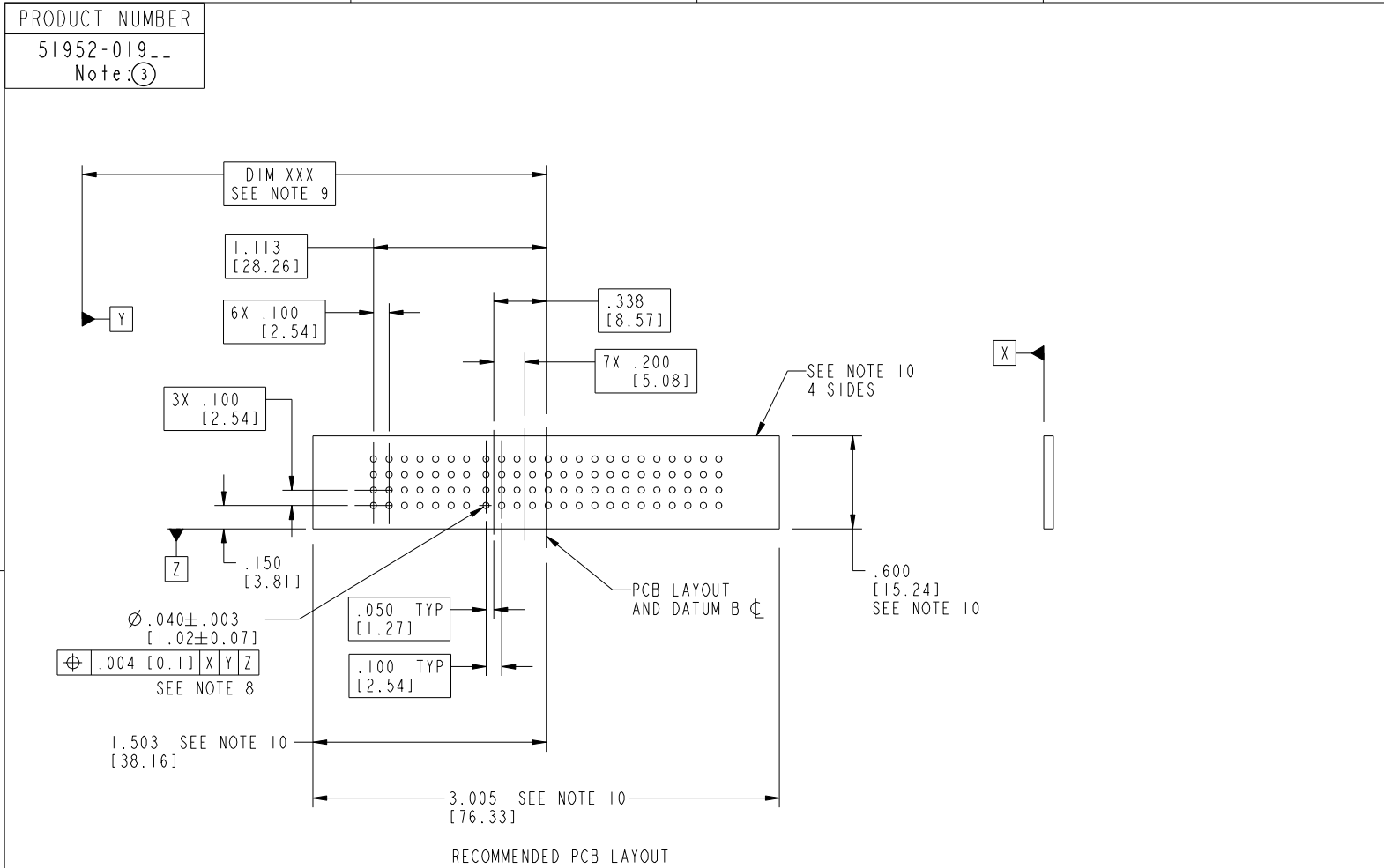
cage code 22526

Pro/E

Tous droits strictement réservés. Reproduction ou communication à des tiers interdite sous quelque forme que ce soit sans autorisation écrite du propriétaire. Propriété de c.FCI. Droits de reproduction FCI.



All rights strictly reserved. Reproduction or issue to third parties in any form whatever is not permitted without written authority from the proprietor. Property of FCI. Copyright FCI.



mat'l code		SEE NOTE 2		tolerances unless otherwise specified		CUSTOMER				www.fciconnect.com	
ltr	ecn no.	dr	date	linear	.XX±.01/0.X±0.3	COPY		projection		title	
D					.XXX±.005/0.XX±0.13					28S+8P	
				angles	.XXX±.0020/0.XXX±0.051					VERTICAL PRESS FIT HEADER	
				dr	0°±2°			INCH/MM		product family	
				enr	D. INGRAM 03/06/03					PwrBlade	
				chr	M.MOSTOLLER 03/06/03			scale		code	
				appd	M.MOSTOLLER 03/06/03	1:1		A		213	
sheet index		revision sheet						size		sheet	
								51952-019		3 of 4	

cage code 22526

Pro/E

Tous droits strictement reserves. Reproduction ou communication a des tiers interdite sous quelque forme que ce soit sans autorisation écrite du propriétaire. Propriete de c FCI. Droits de reproduction FCI.



All rights strictly reserved. Reproduction or issue to third parties in any form whatever is not permitted without written authority from the proprietor. Property of FCI. Copyright FCI.

PRODUCT NUMBER
51952-019-001

NOTES:

1. DIMENSIONS AND TOLERANCES ARE IN ACCORDANCE WITH ASME Y14.5M, 1994 UNLESS OTHERWISE SPECIFIED.

CONNECTOR NOTES:

2 HOUSING MATERIAL: UL 94 V-0 GLASS FILLED HIGH-TEMP THERMOPLASTIC
POWER CONTACT MATERIAL: COPPER ALLOY
SIGNAL PIN MATERIAL: COPPER ALLOY

3. PLATING:

△ 51952-019, 51952-019LF, PLATING SPEC. SEE PRINT: I0064183

4 MANUFACTURER'S NAME, P/N, AND DATE CODE TO APPEAR ON THIS SURFACE.

5. PRODUCT SPECIFICATION GS-12-149.
APPLICATION SPECIFICATION BUS-20-067.

PCB NOTES:

6. ALL HOLE DIAMETERS ARE FINISHED HOLE SIZE.

7. MOUNTING HOLES, WHERE APPLICABLE, ARE UNPLATED.

8 $\varnothing .0453 \pm .0010$ [1.151 ± 0.025] DRILLED HOLES PLATED WITH
.0003 [0.008] MIN SnPb OVER .001 [0.03]
TO .003 [0.08] Cu PLATING TO ACHIEVE
 $\varnothing .040 \pm .003$ [1.02 ± .07] HOLE.

9 "DIM XXX" TO BE DETERMINED BY THE CUSTOMER.

10 CONNECTOR KEEP-OUT ZONE.

11. FOR PRESS FIT APPLICATION USE FCI CAM
TOOL 430169-013

12. A △ SYMBOL WILL BE NEXT TO ANY DIMENSION, VIEW, OR NOTE WHICH HAS
BEEN MODIFIED WITH CURRENT DRAWING REVISION.

mat'l code				SEE NOTE 2		tolerances unless otherwise specified		CUSTOMER		FCI		www.fciconnect.com	
ltr	ecn no.	dr	date	linear	.XX±.01/0.X±0.3	projection	COPY	title		28S+8P			
D					.XXX±.005/0.XX±0.13			VERTICAL PRESS FIT HEADER					
				angles	.XXX±.002/0.XXX±0.051			product family		PwrBlade		code	
				dr	D. INGRAM 03/06/03	INCH/MM	scale	size	dwg no	213		sheet	
				enrg	M.MOSTOLLER 03/06/03	1:1	A	51952-019		4 of 4			
				chr	M.MOSTOLLER 03/06/03								
				appd	M.MOSTOLLER 03/06/03								
sheet index	revision sheet												

cage code 22526

Pro/E